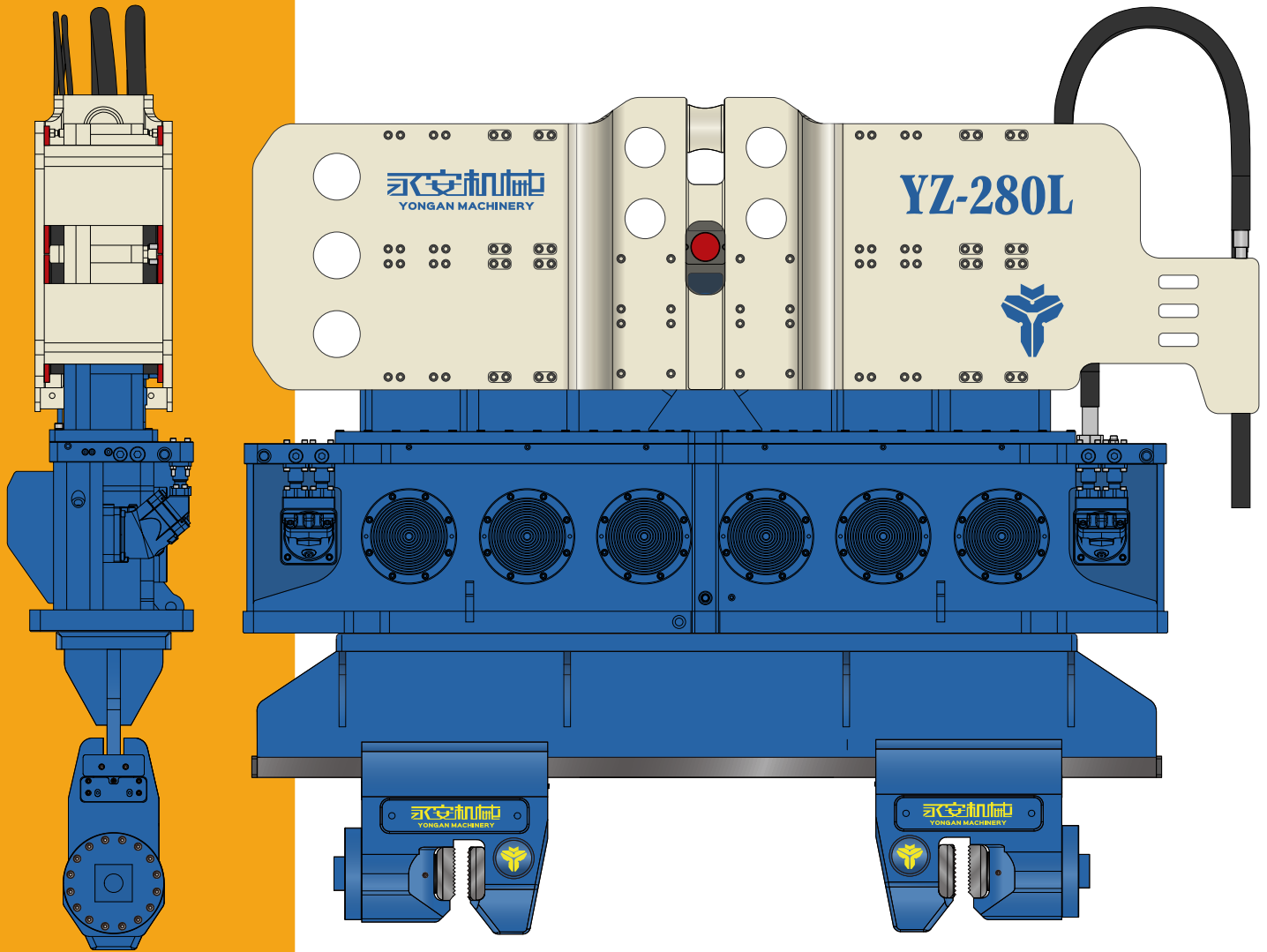




Piling hammer
Manufacturer

YZ-280L

Low-Room Hydraulic
Vibratory Pile Driving &
Extracting Hammer



Features & Benefits



Piling hammer
Manufacturer

Ultra low room suppressor house design, cut down the total weight and the total height of hammer, be more friendly for crane operator

Double lifting heavy loading hook desing, provide different lifting positon and style for crane application

Safety stop pin provide more security for the suppressor rubber when lifting and extracting piles

Deep bored top steel plate let hydraulic oil go throuth it, provide more heat dissipation way

FAG X-life giant spherical bearings provide 5 times durability than those found on other vibro hammer

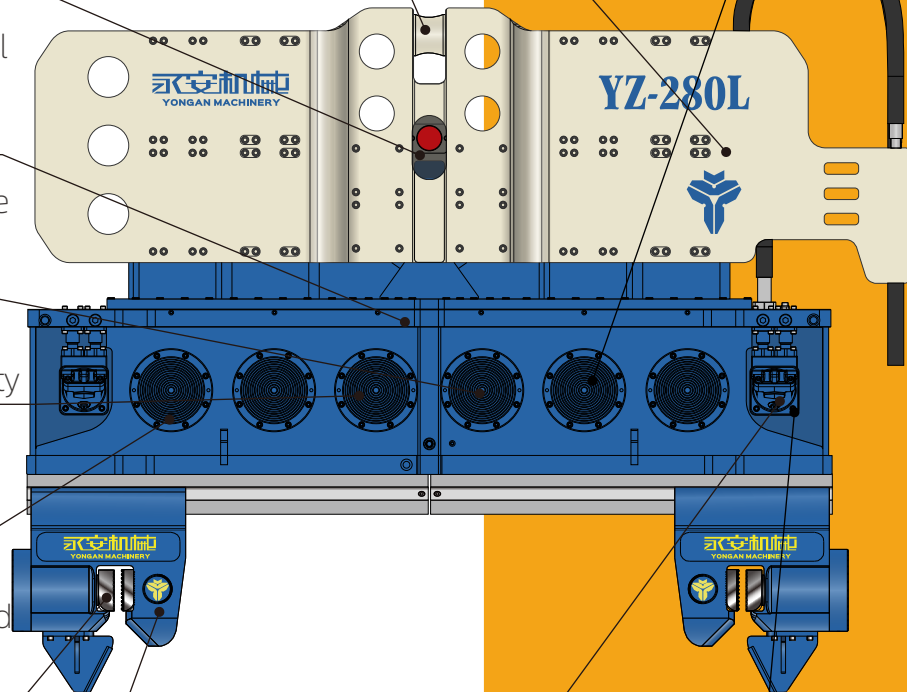
Eccentrics block filled with "Heavy Metal" provide extra driving & extracting capability

One piece eccentric/gear part design eliminateds bolts, keyways, splines and pins etc. other parts

Clamping jaw block make from Super hard alloy material provinding extreme long working life.

Forged hydraulic clamping body provide perfect clamping performance for piles

Bosch Rexroth hydraulic motor, The best motor available on the market for vibro hammer. The hydraulic motor adopts embedded mechanical design montanted on the vibrating hammer body. Avoid damage due to lifting movement Perfectly.



SCHAEFFLE



FAG

X-life



BOSCH

rexroth

manuli
HYDRAULICS



Piling hammer
Manufacturer

Technical Parameters

YZ-280L Low-room hydraulic Vibratory
pile driving Extracting hammer

Eccentric Moment:	92	kgm
Max. Frequency:	1700	rpm
Rated Centrifugal Force:	2920	kN
Max. Centrifugal Force:	3600	kN
Max. Line Pull Force:	800	kN
Max. Amplitude:	30	mm
Max. Oil Flow:	890	L/min

Amplitude Equation:

$$A = \frac{2 \times Mt}{Mv}$$

Mt = Eccentric Moment (kgm)
 Mv = Total Vibrating Weight (kg)
 A = Amplitude (mm)

About Vibrating weight Mv:

The vibrating weight is the sum of all the weights of the vibrating mass.

Note: Calculate pipe pile weight using the following formula:

$$(O-T) * T * 0.0246615 * H$$

O = Outside Diameter of pipe piles

T = Wall Thickness of Pipe Piles

H = Hight of the pipe piles

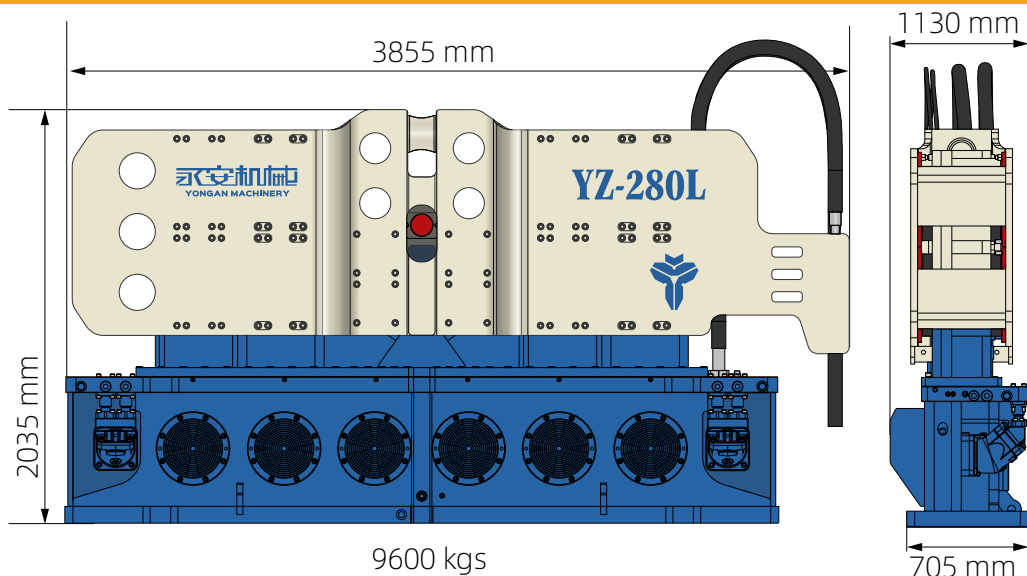


永安机械
YONGAN MACHINERY

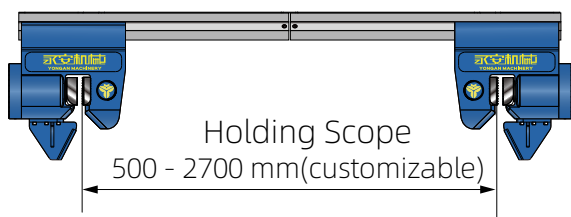


Piling hammer
Manufacturer

Size & Weight

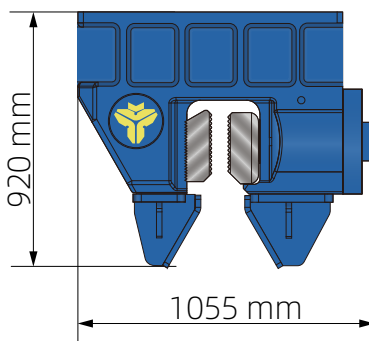


Double hydraulic clamp on beam for
Big size of pipe piles and extracting
piles working process



4580 kgs

Single hydraulic clamp for
sheet pile and
small size of pipe piles

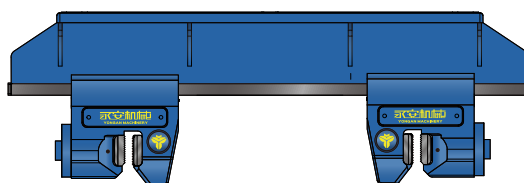


950 kgs

Clamping Force: 1200 kN

Working Pressure: 320 bar

with this extended beam will increase
the holding scope up to more
than 3.5 meters, and good at driving
piles working process.

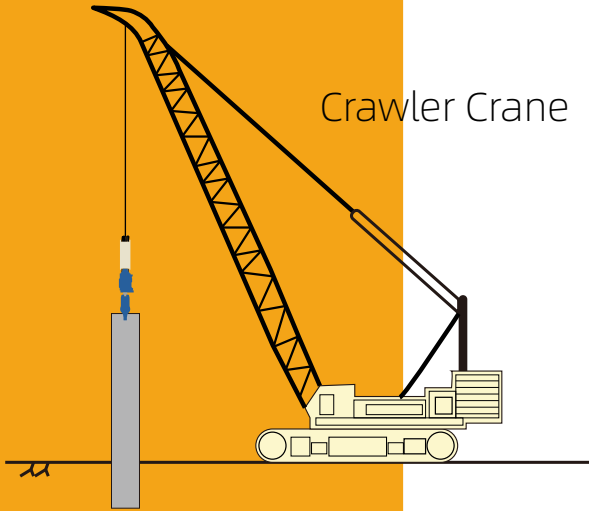


YZ-280L Low-room hydraulic Vibratory
pile driving Extracting hammer

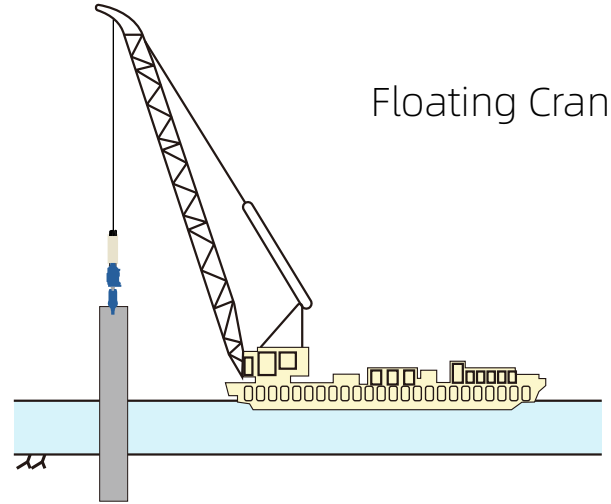


Piling hammer
Manufacturer

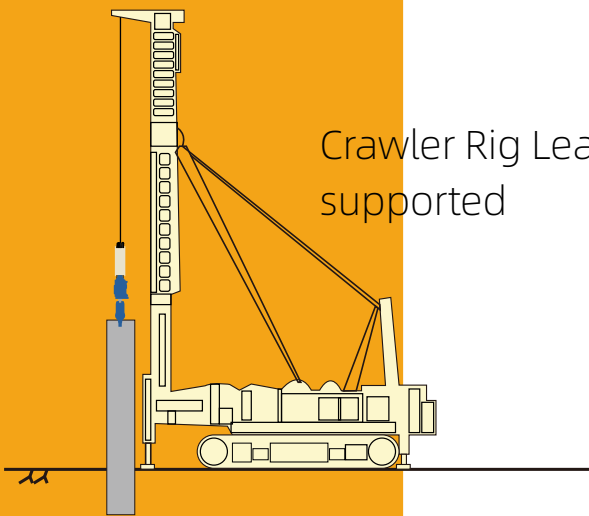
Piling Applications



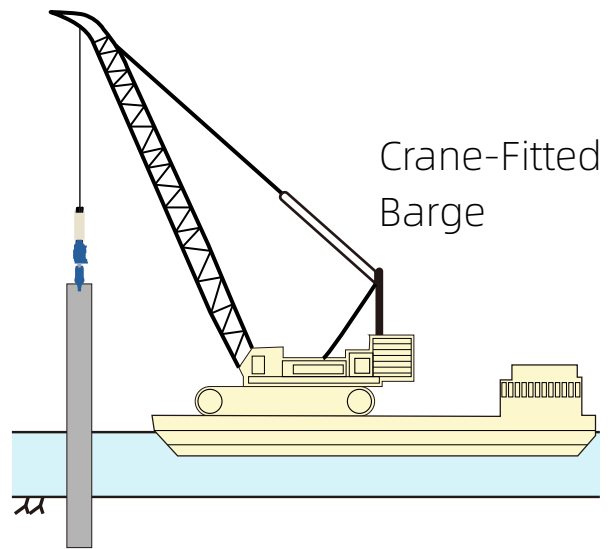
Crawler Crane



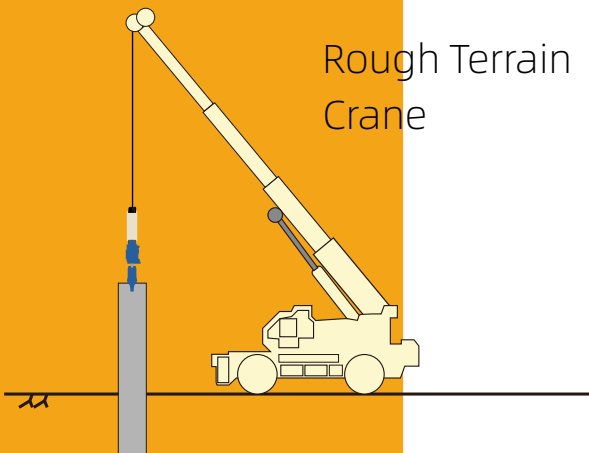
Floating Crane



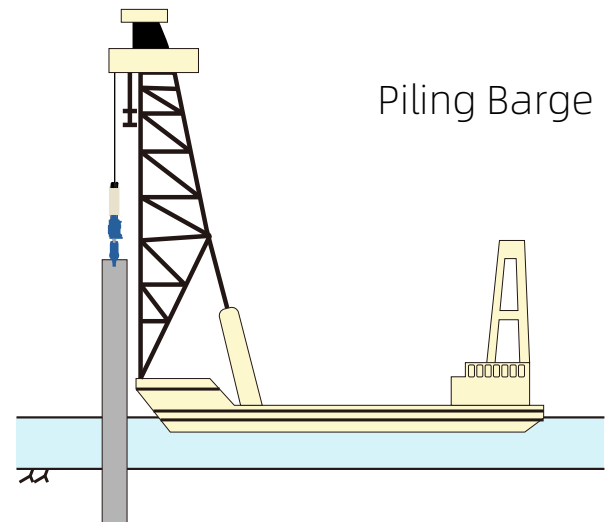
Crawler Rig Lead supported



Crane-Fitted Barge



Rough Terrain Crane



Piling Barge

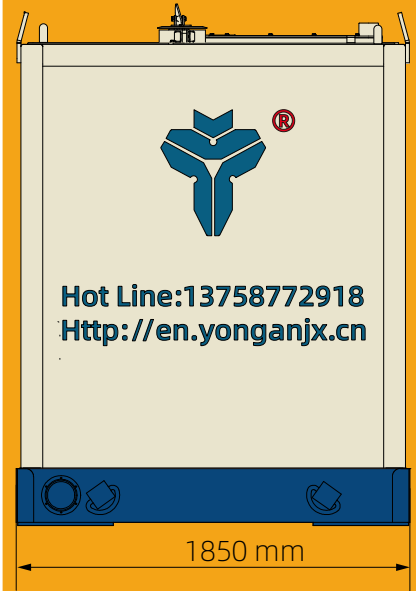
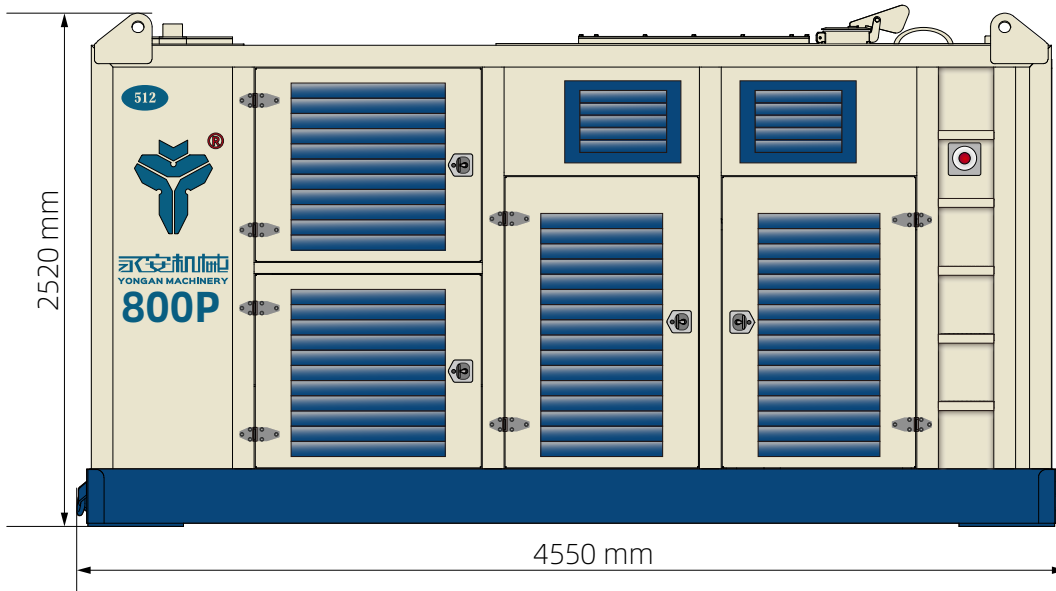


永安机械
YONGAN MACHINERY

Hydraulic Power Pack



Piling hammer
Manufacturer



- Engine: Cummins, CAT, Volvo
- Working Pressure: 320 bar
- Hydraulic Oil Tank Volume: 2200 L
- Max. Power: 522 Kw/746 HP
- Max. Oil Flow: 800 L/min
- Weight: 9000 KGS
- Max. Frequency: 2100 rpm
- Diesel Tank Volume: 600 L

Feature:

Economical and durable

- Uses a high-performance Rexroth hydraulic plunger pump that pursues economy and durability

Quietness and portability

- Compact and lightweight body that takes into consideration quietness and portability by making full use of soundproofing technology.

Environmental

- Equipped with a third exhaust gas countermeasure engine optional, or take a electric motor instead of diesel engine.
- Uses biodegradable fats and oils as grease.

Functional

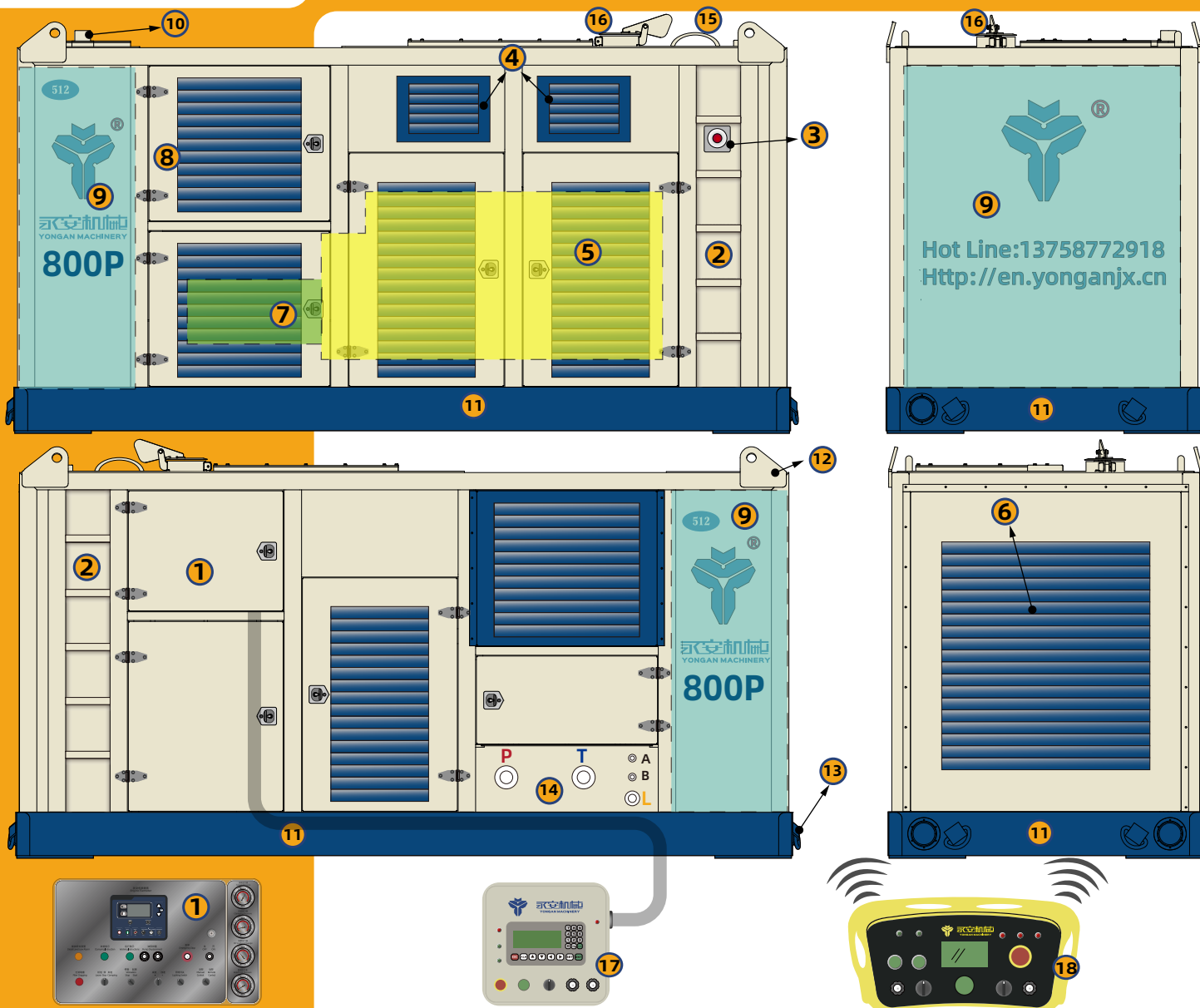
Yongan hydraulic power pack both can support for hydraulic vibro hammer and hydraulic impact hammer.





Piling hammer
Manufacturer

Hydraulic Power Pack



1. Local control & instrument panel
2. ladder
3. emergency stop switch
4. Engine intake
5. Diesel Engine
6. Engine heat sink
7. Rexroth hydraulic pump
8. isolated heat sink for hydraulic oil
9. hydraulic oil tank
10. hydraulic oil filling port
11. Diesel oil tank
12. upper 4 lifting hooks
13. below 4 lifting hooks
14. Quick Coupling hydraulic oil port panel (P. pressure T. Return L. drain A. pressure for clamp B. return for clamp)
15. handle for ladder
16. engine exhaust port
17. wired remote control box
18. wireless remote control box

Contact us



Piling hammer
Manufacturer

Zhejiang Yongan Construction Machinery Co.,Ltd
📍 : 1458 Binhai 1st Road, Binhai Industrial Zone
Wenzhou, China 325025

Fujian New Yongan Machinery Co.,Ltd
📍 : Guanling Industrial Zone, Fuding city
Fujian Province, China

Zhejiang Yongan Construction Machinery Co.,Ltd Ruian Brance
📍 : No.88 Qing'ao, Haiyang Industrial zone, Tangxia town
Rui'an city, China

🌐 : <http://en.yonganjx.cn>

☎ : 86-13758772918

✉ : tom@yonganjx.cn

📘 <https://www.facebook.com/YonganConstructionMachinery/>

🐦 <https://twitter.com/ZhejiangYongan/>

📺 <https://www.youtube.com/channel/UCnmaeeXsNNGuE5swNqH-rWw/>

📷 https://www.instagram.com/yongan_machinery/

📌 <https://www.pinterest.com/yonganconstructionmachinery/>

