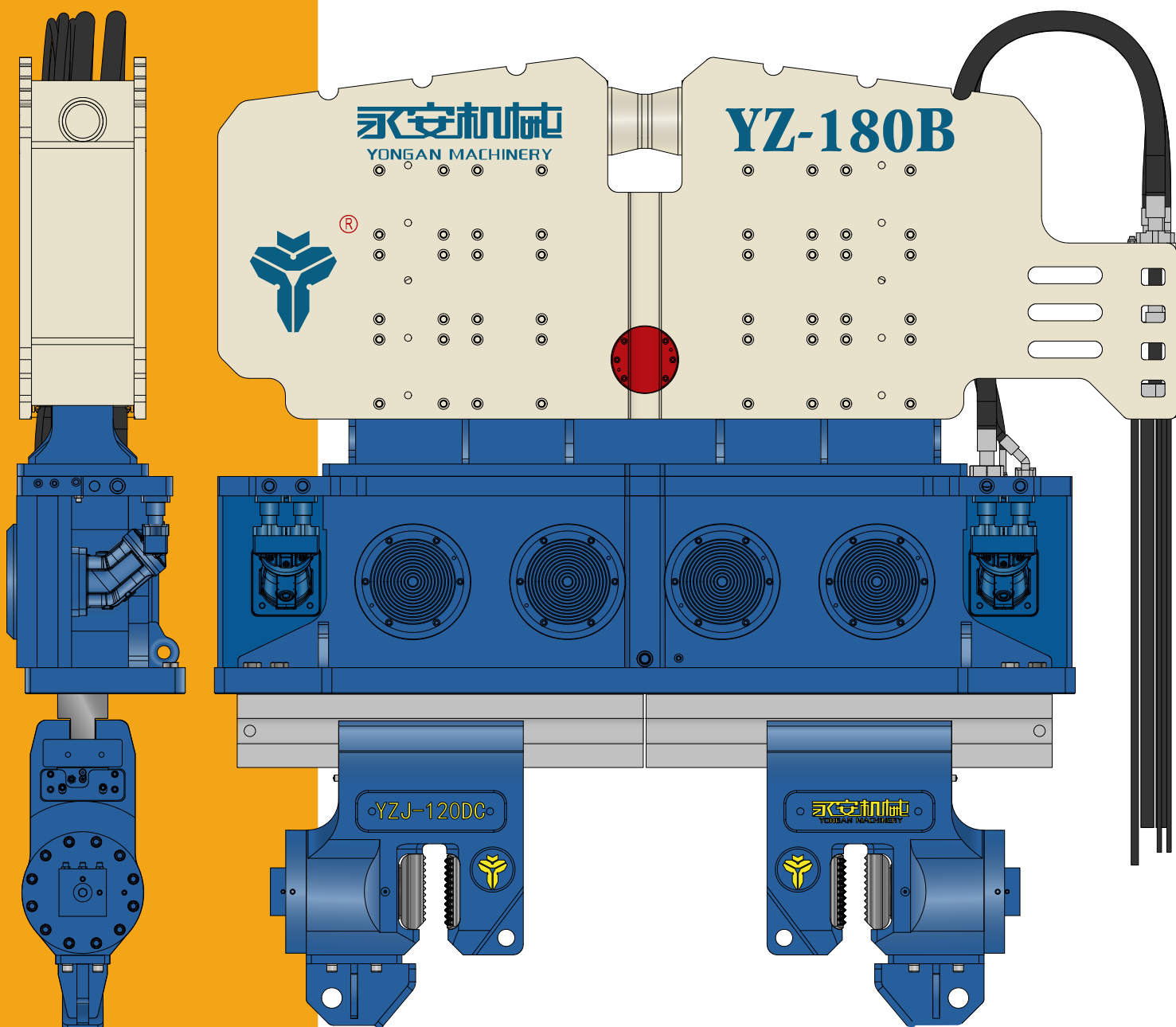




Piling hammer
Manufacturer

YZ-180B

Hydraulic
Vibratory
Pile Driving &
Extracting Hammer



Features & Benefits



Piling hammer
Manufacturer

perfect designed suppressor house with low weight provide more driving and extracting capability

Heavy duty lifting pin for easy rigging and maximum safety

Maximum oil sealing capability with perfect machinery designing

Deep bored top steel plate let hydraulic oil go through it, provide more heat dissipation way

High-precision CNC machined gear box, make eccentric gear block run more smoothly

Yongan vibro hammer can be shipped fully assembled on one truck or container

FAG X-life giant spherical bearings provide 5 times durability than those found on other vibro hammer

Eccentrics block filled with "Heavy Metal" provide extra driving & extracting capability

One piece eccentric/gear part design eliminated bolts, keyways, splines and pins etc. other parts

Clamping jaw block make from Super hard alloy material providing extreme long working life.

Forged hydraulic clamping body provide perfect clamping performance for piles

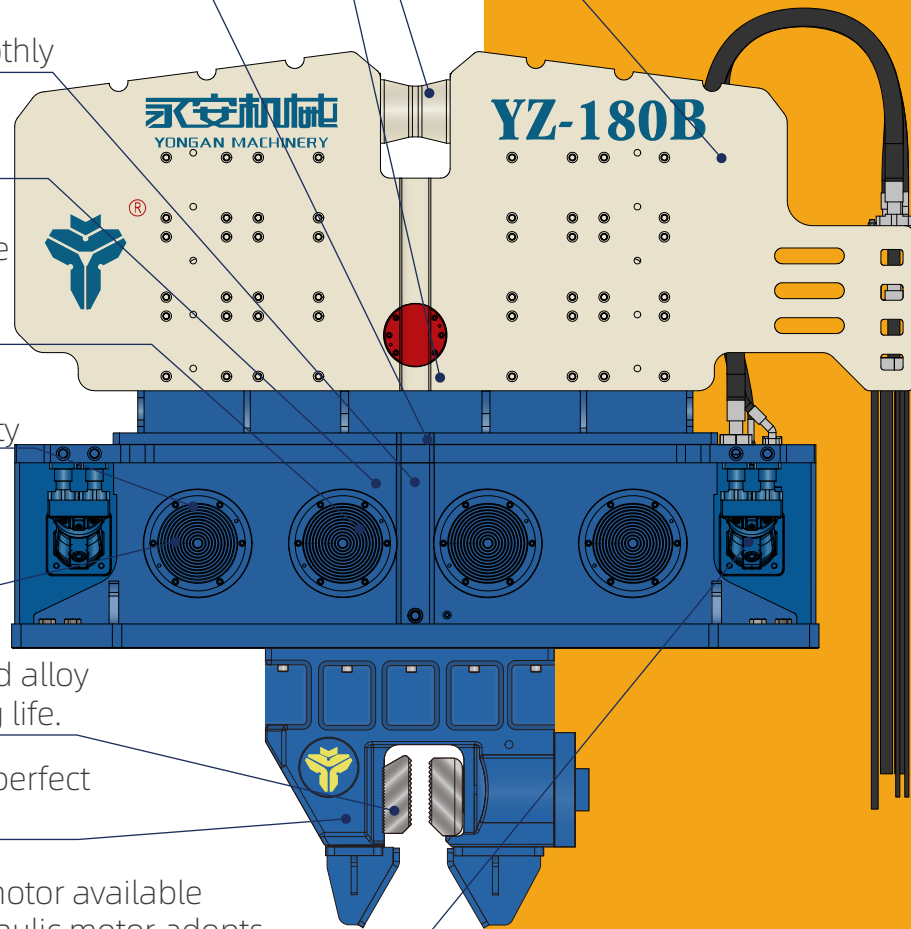
Bosch Rexroth hydraulic motor, The best motor available on the market for vibro hammer. The hydraulic motor adopts embedded mechanical design mounted on the vibrating hammer body. Avoid damage due to lifting movement Perfectly.

SCHAEFFLE



FAG

X-life



 **BOSCH**

rexroth

 **manuli**
HYDRAULICS



Piling hammer
Manufacturer

Technical Parameters

YZ-180B Hydraulic Vibro Hammer

Eccentric Moment:	51	kgm
Max. Frequency:	1810	rpm
Rated Centrifugal Force:	1800	kN
Max. Centrifugal Force:	2340	kN
Max. Line Pull Force:	600	kN
Max. Amplitude:	32	mm
Max. Oil Flow:	680	L/min

Amplitude Equation:

$$A = \frac{2 \times Mt}{Mv}$$

Mt = Eccentric Moment (kgm)
Mv = Total Vibrating Weight (kg)
A = Amplitude (mm)

About Vibrating weight Mv:

The vibrating weight is the sum of all the weights of the vibrating mass.

Note: Calculate pipe pile weight using the following formula:

$$(O-T) * T * 0.0246615 * H$$

O = Outside Diameter of pipe piles

T = Wall Thickness of Pipe Piles

H = Height of the pipe piles

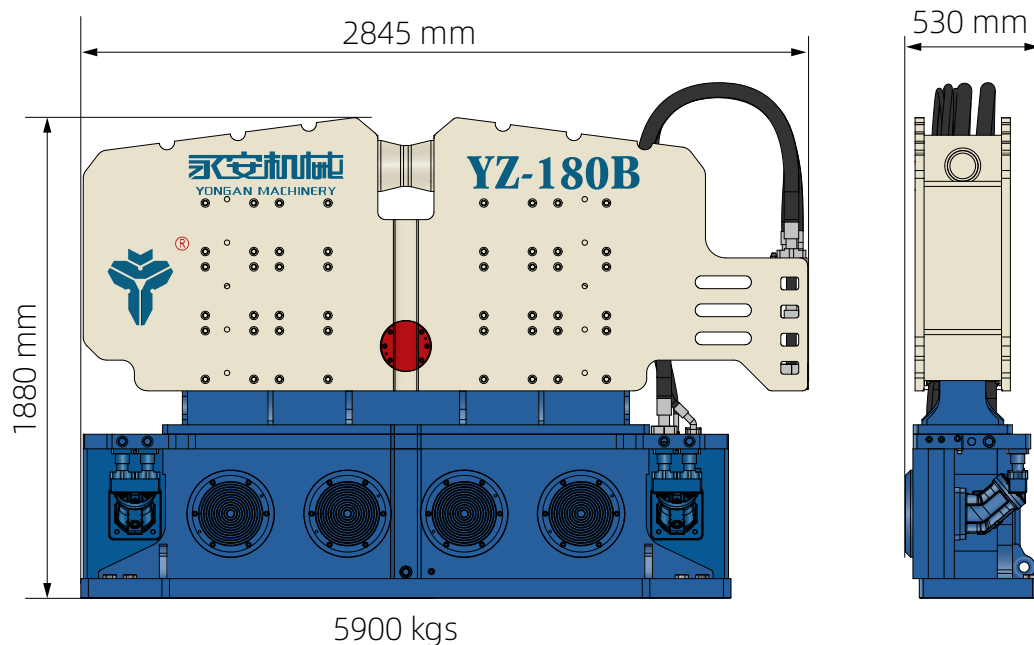


永安机械
YONGAN MACHINERY

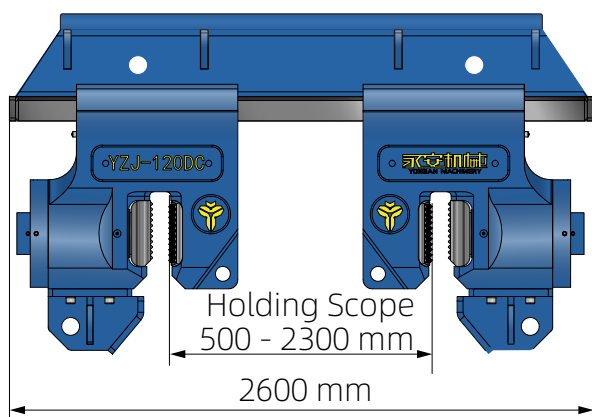


Piling hammer
Manufacturer

Size & Weight

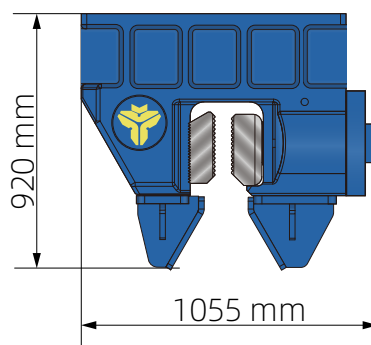


Double hydraulic clamp for
Big size of pipe piles



3250 kgs

Single hydraulic clamp for
sheet pile and
small size of pipe piles



950 kgs

Clamping Force: 1200 kN

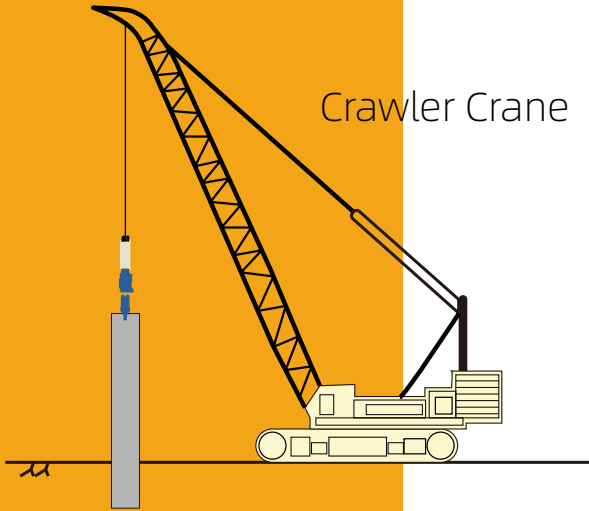
Working Pressure: 320 bar

YZ-180B Hydraulic Vibro Hammer

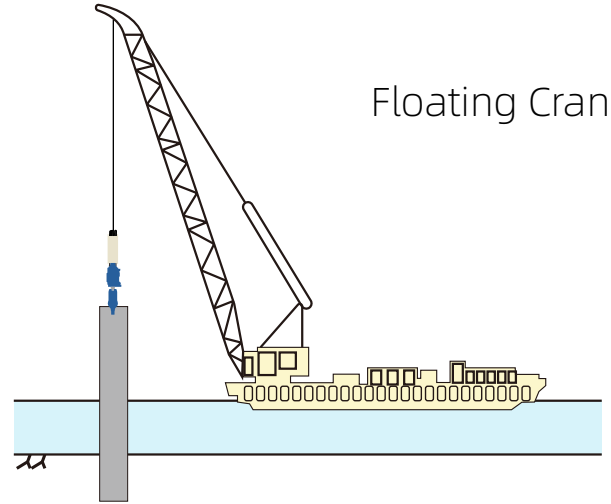


Piling hammer
Manufacturer

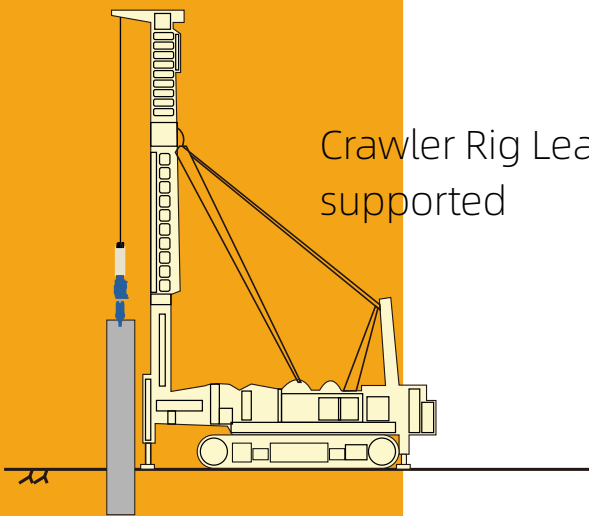
Piling Applications



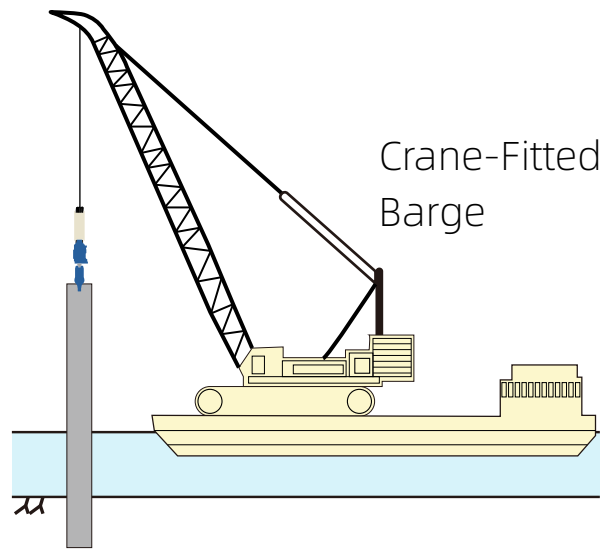
Crawler Crane



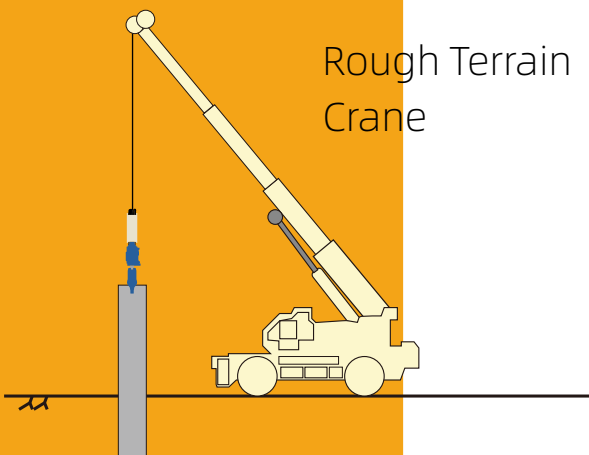
Floating Crane



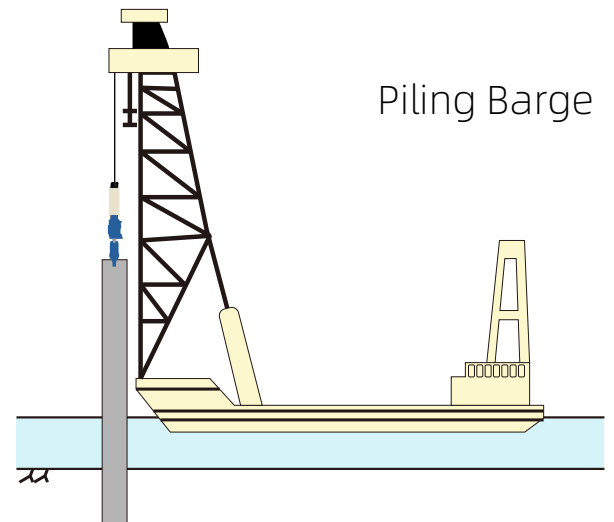
Crawler Rig Lead
supported



Crane-Fitted
Barge



Rough Terrain
Crane



Piling Barge

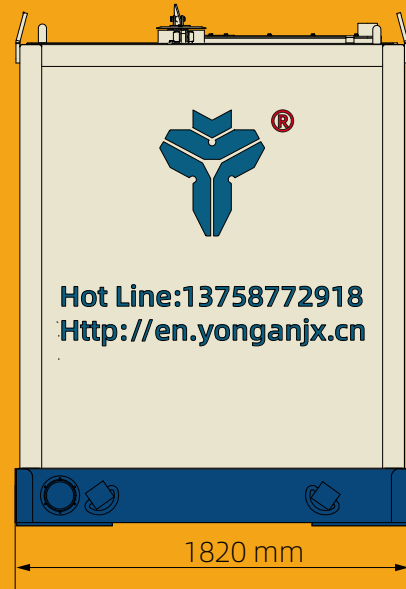
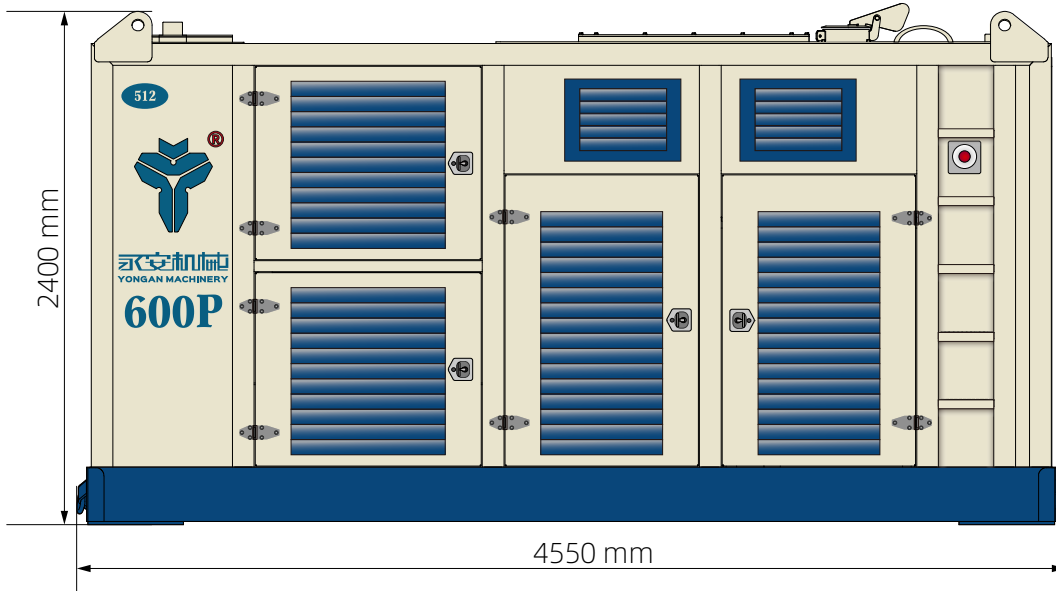


永安机械
YONGAN MACHINERY

Hydraulic Power Pack



Piling hammer
Manufacturer



- ◆ Engine: Cummins, CAT, Volvo
- ◆ Working Pressure: 320 bar
- ◆ Hydraulic Oil Tank Volume: 2000 L
- ◆ Max. Power: 403/540 HP
- ◆ Max. Oil Flow: 630 L/min
- ◆ Weight: 8200 KGS
- ◆ Max. Frequency: 2100 rpm
- ◆ Diesel Tank Volume: 600 L

Feature:

Economical and durable

- Uses a high-performance Rexroth hydraulic plunger pump that pursues economy and durability

Quietness and portability

- Compact and lightweight body that takes into consideration quietness and portability by making full use of soundproofing technology.

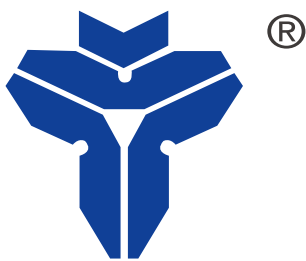
Environmental

- Equipped with a third exhaust gas countermeasure engine optional, or take a electric motor instead of diesel engine.
- Uses biodegradable fats and oils as grease.

Functional

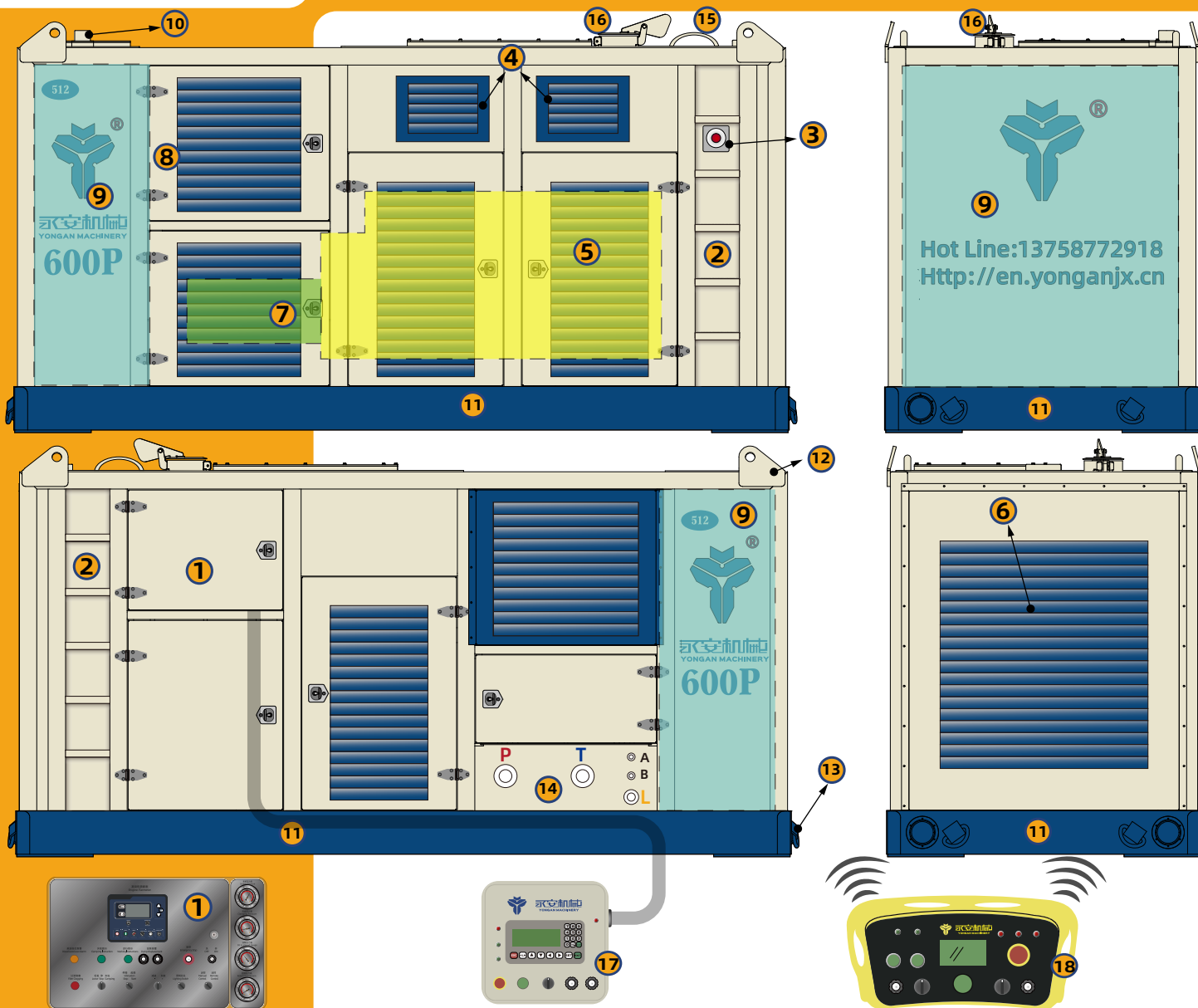
- Yongan hydraulic power pack both can support for hydraulic vibro hammer and hydraulic impact hammer.





Piling hammer
Manufacturer

Hydraulic Power Pack



1. Local control & instrument panel
2. ladder
3. emergency stop switch
4. Engine intake
5. Diesel Engine
6. Engine heat sink
7. Rexroth hydraulic pump
8. isolated heat sink for hydraulic oil
9. hydraulic oil tank
10. hydraulic oil filling port
11. Diesel oil tank
12. upper 4 lifting hooks
13. below 4 lifting hooks
14. Quick Coupling hydraulic oil port panel (P. pressure T. Return L. drain A. pressure for clamp B. return for clamp)
15. handle for ladder
16. engine exhaust port
17. wired remote control box
18. wireless remote control box

Contact us



Piling hammer
Manufacturer

Zhejiang Yongan Construction Machinery Co.,Ltd
📍 : 1458 Binhai 1st Road, Binhai Industrial Zone
Wenzhou, China 325025

Fujian New Yongan Machinery Co.,Ltd
📍 : Guanling Industrial Zone, Fuding city
Fujian Province, China

Zhejiang Yongan Construction Machinery Co.,Ltd Ruian Brance
📍 : No.88 Qing'ao, Haiyang Industrial zone, Tangxia town
Rui'an city, China

🌐 : <http://en.yonganjx.cn>

☎ : 86-13758772918

✉ : tom@yonganjx.cn

📘 <https://www.facebook.com/YonganConstructionMachinery/>

🐦 <https://twitter.com/ZhejiangYongan/>

📺 <https://www.youtube.com/channel/UCnmaeeXsNNGuE5swNqH-rWw/>

📷 https://www.instagram.com/yongan_machinery/

📌 <https://www.pinterest.com/yonganconstructionmachinery/>

